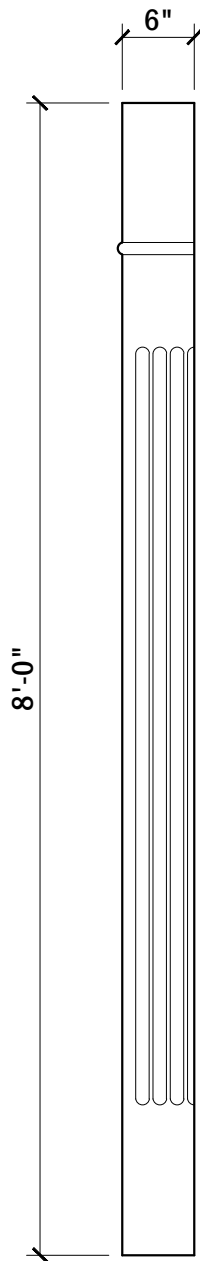
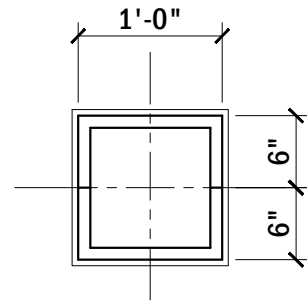


**ELEVATION VIEW**



**SIDE VIEW**



**PLAN VIEW**

ITEM NUMBER AND TITLE:  
**220 COLUMN, POST/PILASTER/PIER, 12"X12" SQUARE SHAFT, 8'H, 2PCS.**

DATE:  
**16-08-20**

SCALE:  
 $\frac{3}{4}'' = 1'-0''$

WEIGHT:  
 --- Lbs



SALES@LAGUNAPRECAST.COM  
 WWW.LAGUNAPRECAST.COM

SALES 877 774 3280 TOLL FREE  
 INTERNATIONAL +1-949-281-7412

PRODUCT SPECIFICATIONS: